

LRC-400™ Robotic top load cartoner



Infeed



Cartoning



Case packing

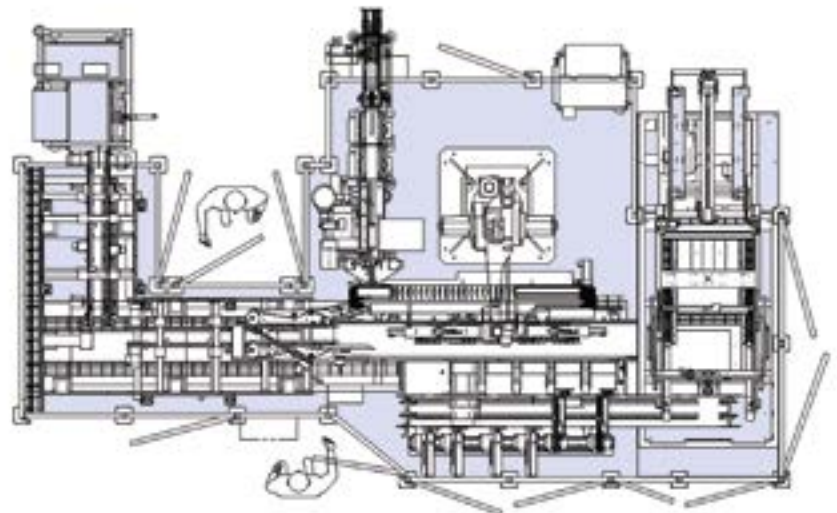


Palletising

The Mpac Langen LRC-400 is a robotic top load cartoner for demanding applications requiring individual modules for carton forming, carton loading and carton sealing.

TECHNICAL SPECIFICATIONS

- Motion Continuous
- Electrical 230V/480V/575V/3PH,
50/60Hz
- Safety system Category 3 EN-13849-1 PLd
(control reliable)



STANDARD FEATURES

- Integrated fast, reliable, and flexible FANUC robot
- Touch screen HMI for easy operation
- Modular product infeed
- Advanced quick and tool-less change over features
- Easy access for maintenance and cleaning
- CE/UL/CSA compliant with AB controls
- Interlocked perimeter guarding
- E-stop recovery without re-homing



OPTIONAL FEATURES

- Variety of infeed systems (linear servopack, low back pressure collation, smart belt, etc.)
- Integration of carton or tray erector
- Integration of carton or tray sealer
- Integration of checkweigher, printers, vision, and metal detection
- Collaborative robots system



All information given in this document is dependent upon final machine specification, infeed arrangement, product type and bag specification.

